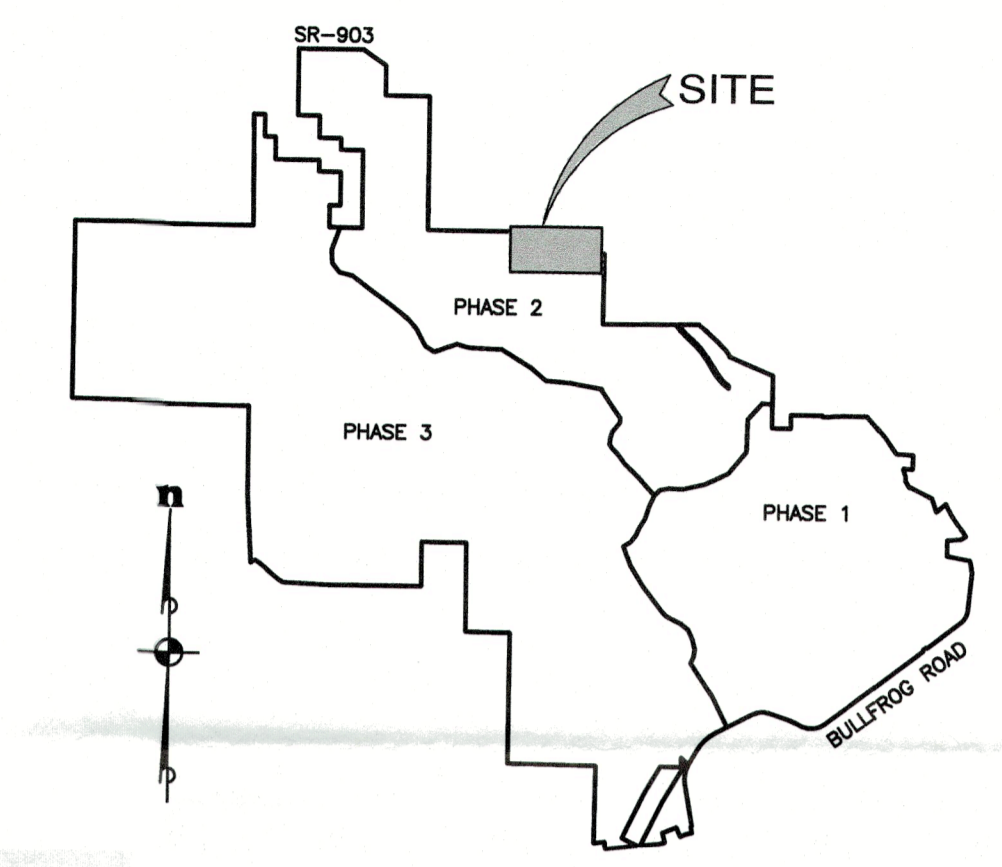


REVISIONS		
NO.	DESCRIPTION/DATE	BY

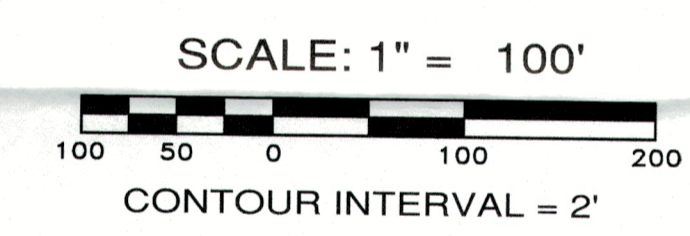
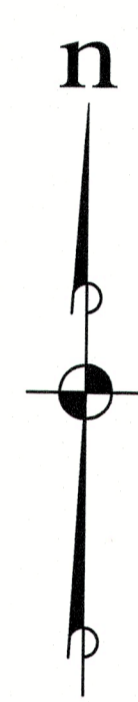
ESM CONSULTING ENGINEERS, LLC
 33400 8th Ave S, Suite 205
 Federal Way, WA 98003
 www.esmcivil.com
 Civil Engineering | Land Surveying | Planning
 Public Works | Project Management | Landscape Architecture

NEW SUNCADIA, LLC
SUNCADIA PH 2-DIV 6 (NELSON RIDGE)
 CONCEPTUAL UTILITY PLAN
 WASHINGTON
 KITTITAS COUNTY

JOB NO.: 998-812-020
 DWG. NAME: EN-02
 DESIGNED BY: LGB
 DRAWN BY: JH
 CHECKED BY:
 DATE: 10/26/2020
 DATE OF PRINT:
EN-02
 1 OF 1 SHEETS

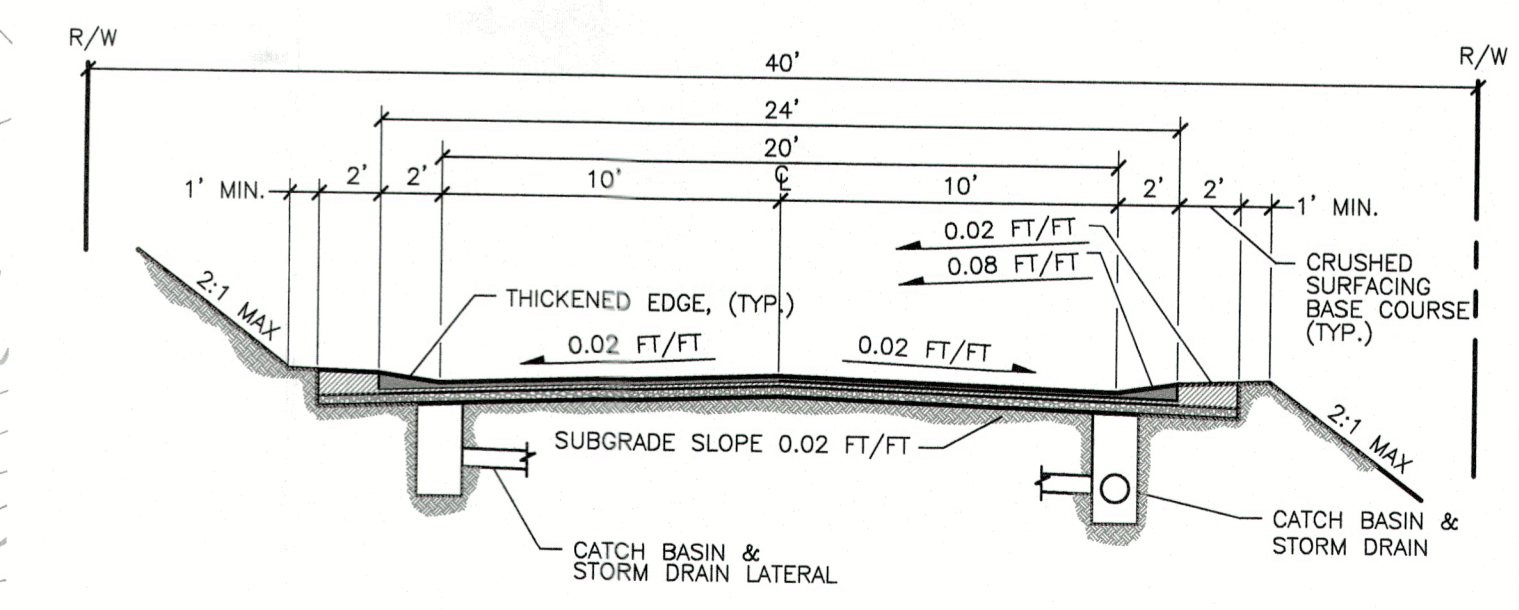


VICINITY MAP
NOT TO SCALE



LEGEND

- STORM DRAINAGE
- SANITARY SEWER FORCE MAIN
- SANITARY SEWER MAIN
- WATER MAIN
- WATER METER
- FIRE HYDRANT
- STORM DRAINAGE FLOW PATH
- SANITARY SEWER MANHOLE
- SANITARY SEWER CLEANOUT
- CATCH BASIN
- 2056- EXISTING MINOR CONTOUR
- 2060- EXISTING MAJOR CONTOUR



File: \\esmc\ESM\ESM-0085\998-812-020\shh\shh\EN-02.dwg
 Plotted: 11/17/2020 2:28 PM
 Plotted By: Jeff Heng